

Sistema de Dosificación Floralife®

MixRite Ajustable

Modelos Disponibles

#83-78057 - Unidad Simple de Montaje en Pared

Tasa de Inyección 0.1%-1%, Tasa de Flujo 1 - 11 GPM
(incluye tubo de absorción)

#83-78050 - Unidad Simple de Montaje en Pared

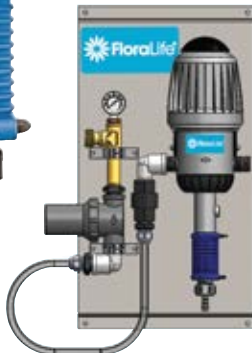
Tasa de Inyección 0.3%-2%, Tasa de Flujo 1 - 11 GPM
(incluye tubo de absorción)

#83-78053 - Unidad Simple de Montaje en Pared sobre Acero Inoxidable con Prevención de Reflujo

(Incluye filtro de agua, válvula de presión, manguera, tubo de absorción, prevención de reflujo, montado sobre una placa de acero inoxidable)

#83-78052 - Unidad Simple de Montaje en Pared sobre Acero Inoxidable sin Prevención de Reflujo

(Incluye filtro de agua, válvula de presión, manguera, tubo de absorción, montado sobre una placa de acero inoxidable)



Características Clave

- Dosificación más fácil y precisa
- Minimum amount of parts
- Easy twist lock parts, no tools required
- Resists corrosion
- 3/4-inch thread connections for higher output volume
- 12-month warranty
- UL rated up to 120 psi
- NSF51 specified hoses
- EPDM o-rings for enhanced chemical resistance
- pH control

A Step Up From Other Models

- Positive displacement water driven injector
- Solution is added in proportion to water flow for accurate mixing
- Adjustable injection rate
- Constant concentration of additive regardless of flow or pressure
- No wasted water
- No electricity
- Higher flow rate, less friction loss, longer life than other comparable models

Popular Optional Accessories

#83-78063
(Inlet) Hose



#83-78062 (Outlet) Hose
#83-78064 Wand



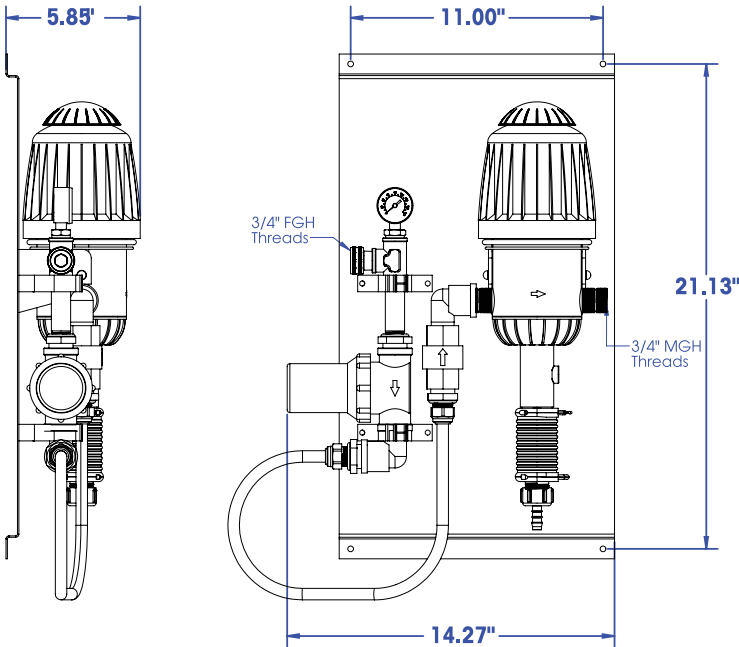
#83-78065
Backflow Preventer



Step By Step Daily Use Instructions

A fresh water source is connected to one end of the system. The system then draws concentrated Floralife® Flower Food solution from a bucket or drum, and mixes it with the correct amount of water. This easily dispenses the solution into containers through a handy hose and wand.

- Make sure the dosing system is connected to the water hose
- Connect uptake tube to the inlet barb and place hose inside Floralife® product container
- Connect output hose so that solution will be available from wand
- Double check to make sure the setting on the dosing injector is correctly set to the recommendations of the product's dosage rate (see chart above)
- If the setting is not correct, adjust unit to the correct setting



Suggested Products and Settings

Floralife Crystal Clear® (Flower Food Clear 300)	1.6%
Flower Food 300	1.6%
Clear 200 storage and transport treatment	1.0%
200 storage and transport treatment	1.0%
D.C.D.® cleaner	0.8%
Clear 200 ULTRA storage and transport treatment	0.5%
HydraFlor® 100 hydrating treatment	0.5%
Rose 100	0.1%